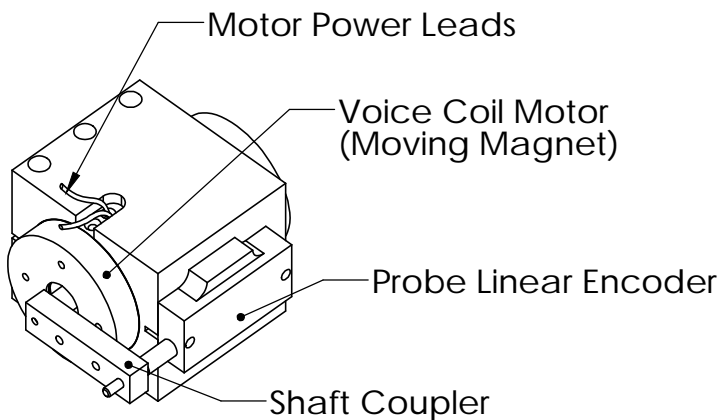
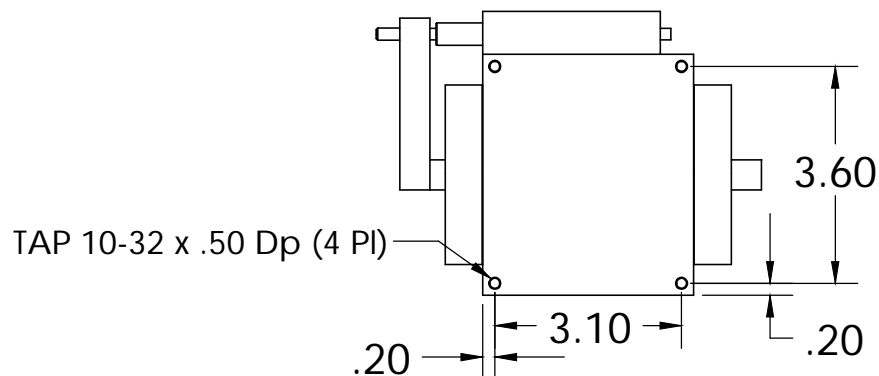
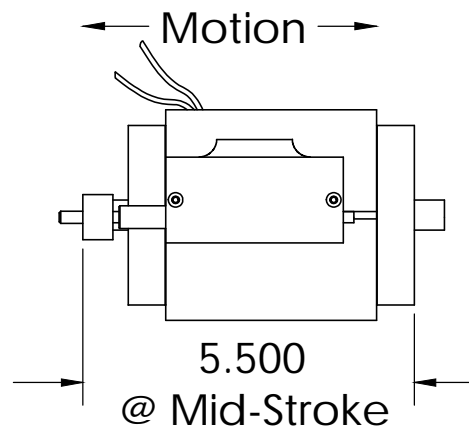
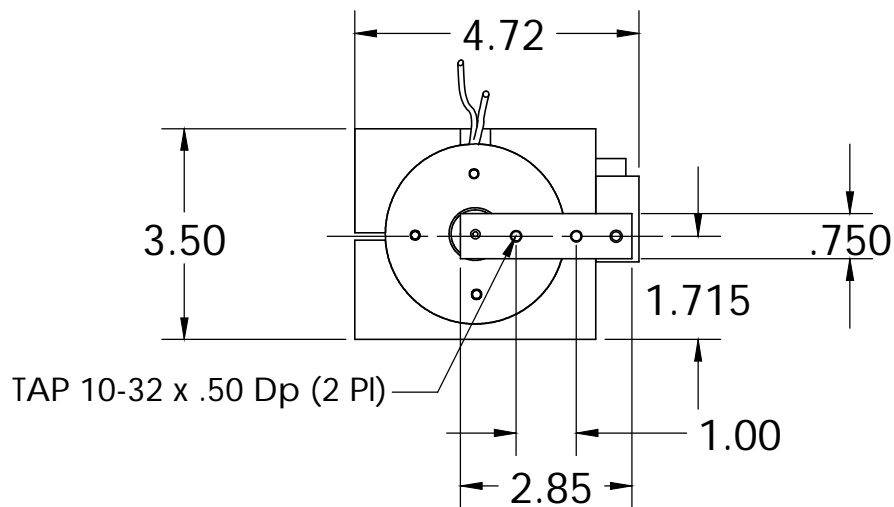


These drawings and specifications are the property of H2W Technologies, Inc. They are issued in confidence and shall not be reproduced, copied, or used without written permission from H2W Technologies, Inc. (www.h2wtech.com)



H2W Technologies, Inc.
 26470 Ruether Ave #102 Santa Clarita, CA 91350 USA
 Tel: (661) 251-2081 Fax: (661) 251-2067
 www.h2wtech.com

VOICE COIL POSITIONING STAGE
Model #VMS05-180-LB-12

UNLESS SPECIFIED OTHERWISE: All dimensions are in inches Standard Tolerances are as follows: .XXX ±.005 ANGLES ±1° .XX ±.010 FILLETS .010 .X ±.020 CORNERS .010 Remove All Burrs and Sharp Edges				MATERIAL		TITLE	
FINISH				DRAWN		DWG #	
OOG				DATE		REV	
11-20-06				MPW		---	
APPROVED				DATE		SHEET	
11-20-06				30-0536		1 of 2	

MOVING COIL NON-COMM ACTUATOR SPECIFICATIONS		
Motor P/N	NCM05-28-180-2LB	
Stroke	0.50"	12.7 mm
Encoder Resolution	12 micron	
Bearing Type	Linear Bushing	
Moving Mass	1.74 lbs	787 grams
Total Mass	7.56 lbs	3417 grams
Resistance @ 20C	10.2 ohms	
Inductance @ 20C	5.1 mH	
Electrical Time Constant	0.50 msec	
Motor Constant	2.71 LBS/SQRT(Watt)	12.1 N/SQRT(Watt)
Force Constant	8.7 LBS/Amp	38.6 N/Amp
Back EMF	1.0 V/ips	38.6 V/m/sec
Continuous Force	18 LBS	80 N
Max Power @ 100% Duty	44 Watts	
Peak Force	54 LBS	240 N
Max Power @ 10% Duty	397 Watts	

TITLE	Voice Coil Positioning Stage Model #VMS05-180-LB-12	
DWG #	30-0536	REV --- SHEET 2 of 2